



LIVIN HILL

ASSEMBLY INSTRUCTIONS & PARTS IDENTIFICATION

MODEL # 2252 - 54

ISABELLA 3 DOORS ACCENT CABINET BLUE FINISH

Parts key

No	Code	Qty	Description	No	Code	Qty	Description
1	2252-54P54	1 pc	Top	11	2252-54P07L	1 pc	Left Side Facing End Door
2	2252-54P51B	1 pc	Bottom Shelf	12	2252-54P07R	1 pc	Right Side Facing End Door
3	2252-54P53	1 pc	Front Frame	13	2252-54P07M	1 pc	Middle Door
4	2252-54P51L	1 pc	Left Side Facing Side Panel	14	2252P51H	4 pc	Side Panel Hinge
5	2252-54P51R	1 pc	Right Side Facing Side Panel	15	2252P07H	6 pcs	Door Hinge
6	2252-54P08V	1 pc	Vertical Partition	16	2252P02M	1 pc	Middle Leg
7	2252-54P08SL	1 pc	Left Side Shelf	17	2252P01L	5 pcs	Leveler
8	2252-54P08SR	1 pc	Right Side Shelf	18	2252P01D	1 pc	Door Catch
9	2252-54P38SL	1 pc	Left Side Back Panel	19	2252P01AT	1 set	Anti-Tip Kit
10	2252-54P38SR	1 pc	Right Side Back Panel				

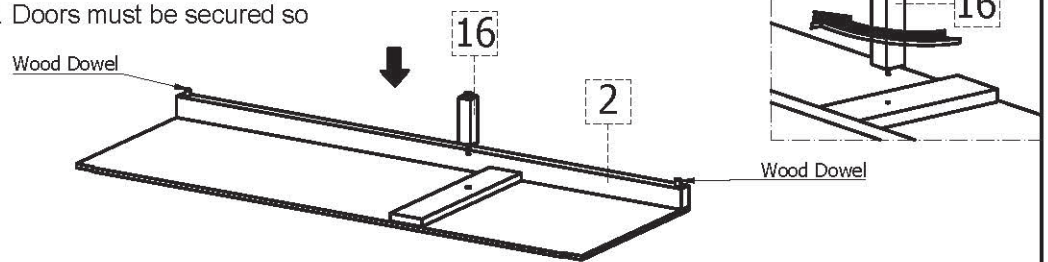
Hardware Kit 2252-54P01

No	Code	Qty	Description	No	Code	Qty	Description
20	2252P08P	8 pcs	Shelf Pin	22	2252P01S	8 pcs	Wood Screw
21	2252P04	3 pcs	Knob w/ Screw				

PLEASE NOTE: Assembly requires two people. Follow directions step by step.

Step:01

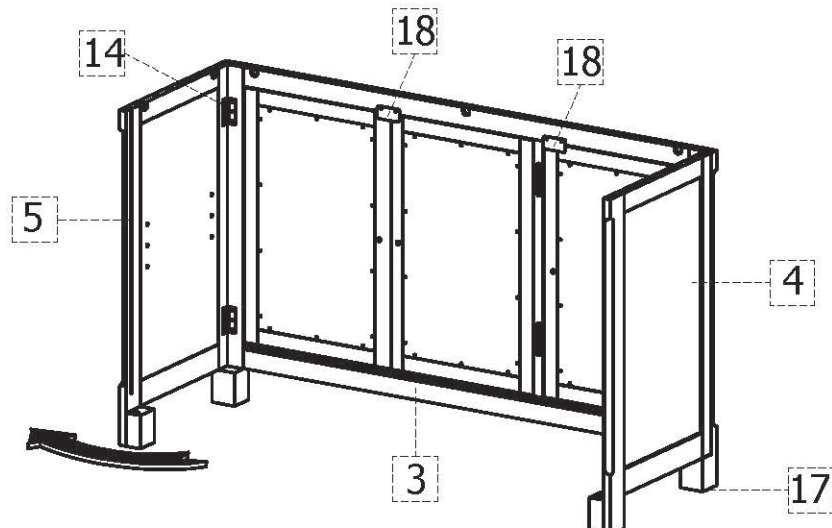
Carefully lay out all pieces on a padded surface to prevent damage. Take extra care when removing the door unit from the carton. Doors must be secured so they will not fall open.



-Attach the middle support legs to the underside of the bottom shelf.

Step:02

- With the help of the second person, open the front frame assembly positioning the two side panels of the cabinet 90° perpendicular to the cabinet frame.





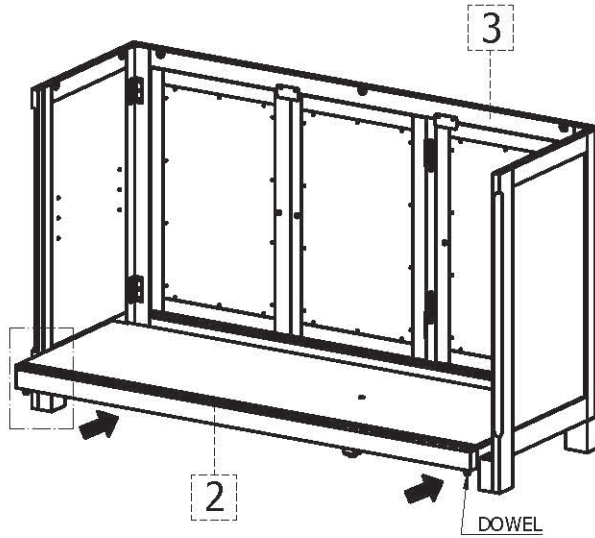
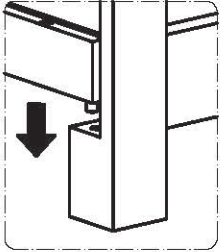
LIVIN HILL

ASSEMBLY INSTRUCTIONS & PARTS IDENTIFICATION

MODEL # 2252 - 54

ISABELLA 3 DOORS ACCENT CABINET BLUE FINISH

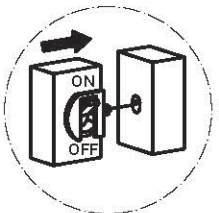
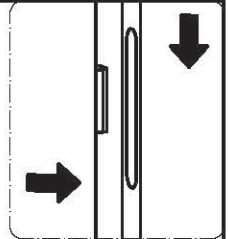
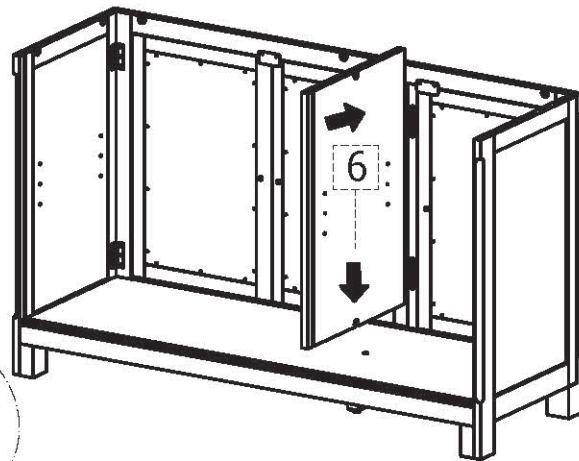
Step:03



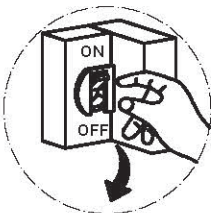
- Place the bottom shelf in position and lock the wood dowels into the receiving holes in the rear leg.

Step:04

- Insert the Vertical Partition by placing the tab on the panel into the receiver on the Front Frame and gently push down to lock into place. Make sure that the locking tab is in the opened position to insert into the bottom shelf.



Tab in opened position



Pull tab down to lock

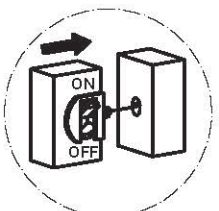
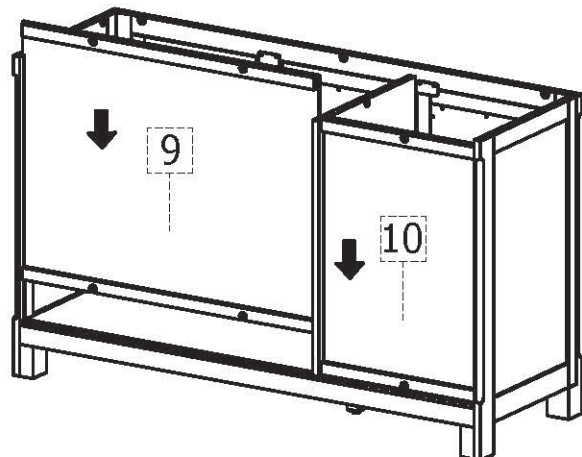


Tab in locked position

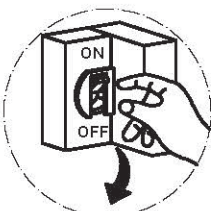
- Lock the tab (see diagram below) to secure the vertical panel to the bottom shelf.

Step:05

- Carefully insert the back panels into place making sure that the lock tabs are in the open position on the bottom of the back panel.
- Once in place, lock the tabs on the bottom.



Tab in opened position



Pull tab down to lock



Tab in locked position



LIVIN HILL

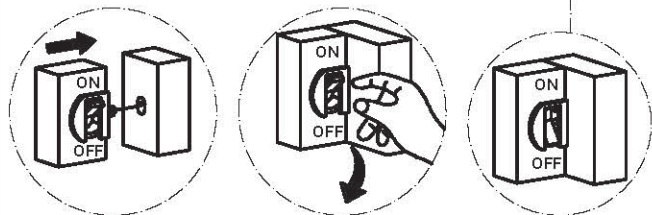
ASSEMBLY INSTRUCTIONS & PARTS IDENTIFICATION

MODEL # 2252 - 54

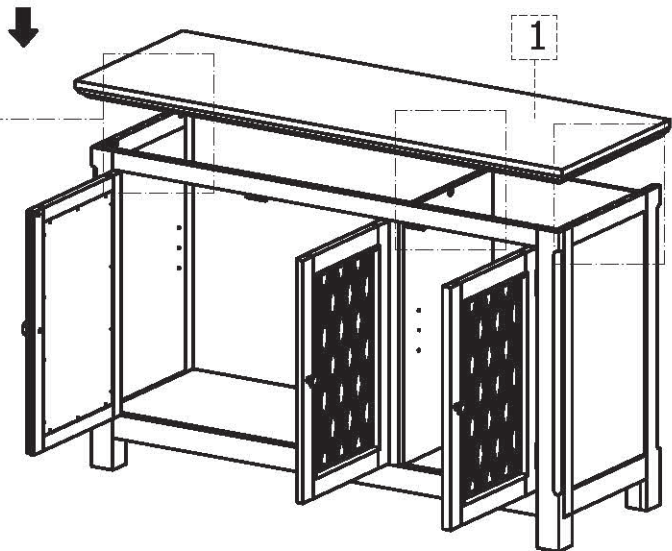
ISABELLA 3 DOORS ACCENT CABINET BLUE FINISH

Step:06

- Line up all the locking tabs in the open position
- With two people, carefully align the top in place making sure that the tab fits into the receiver portion on the top. Once firmly in place, lock the tabs.

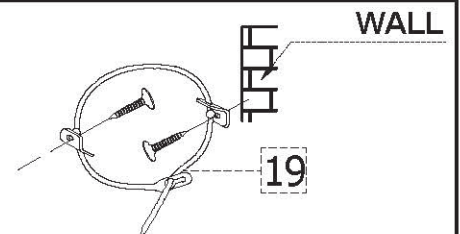
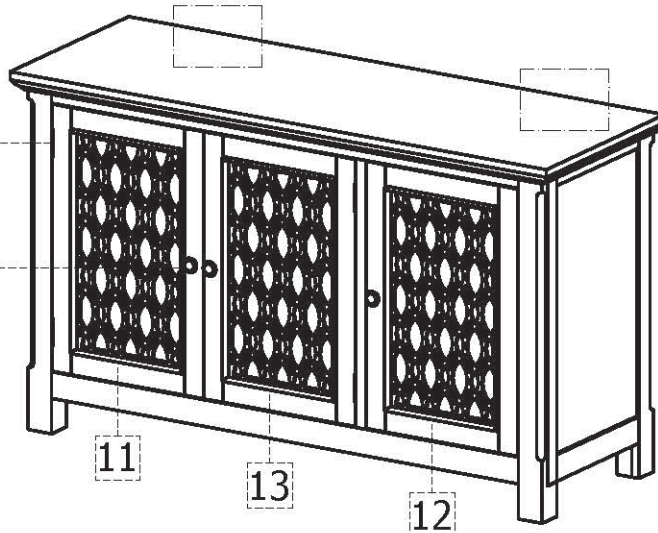
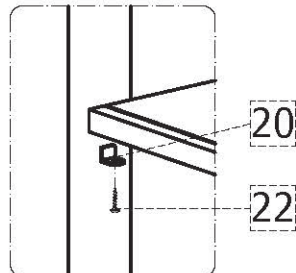
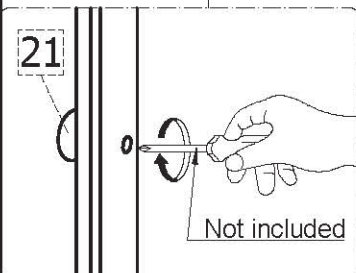
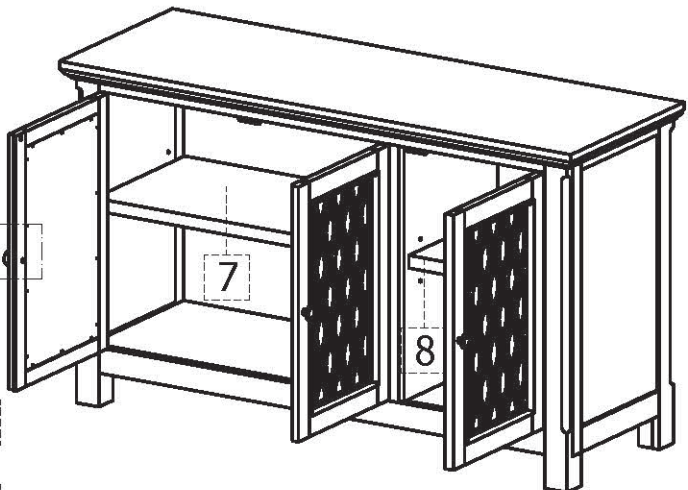


Tab in opened position Pull tab down to lock Tab in locked position



Step:07

- Install the shelves using the shelf pins. it is important to secure the shelf in place with the wood screws (See Diagram)
- Install the grip handle to fit the hand, not too tight or too loose.



PLEASE NOTE :

To help prevent the possibility of tip-over, install the ANTI-TIP OVER restraint provided.