



LIVIN HILL

ASSEMBLY INSTRUCTION & PARTS IDENTIFICATION MODEL #775-50 MEDIA UNIT

Thank you for purchasing this quality product. Be sure to check all packing material carefully for small parts that may have come loose inside the carton during shipment.

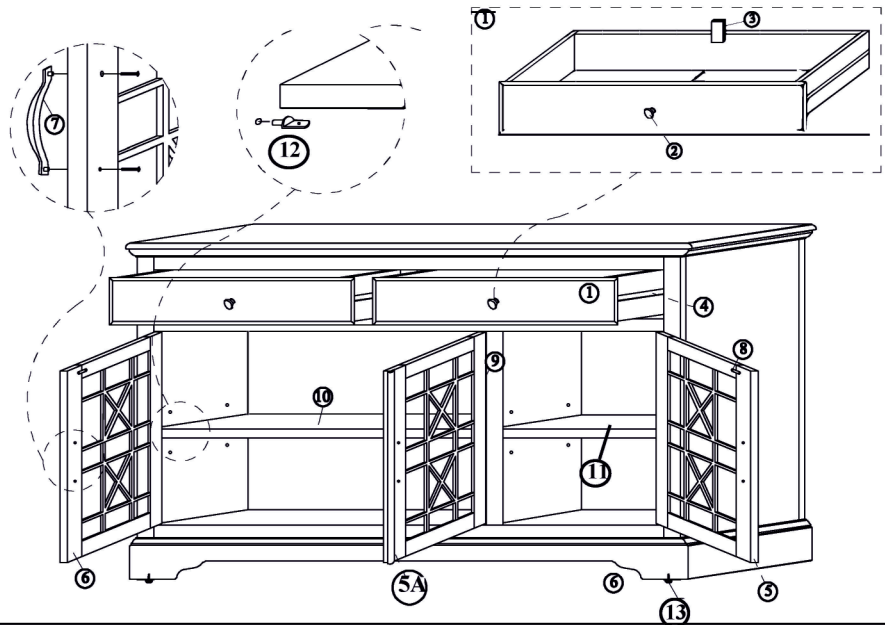
Parts key

No	Code	Qty	Description	No	Code	Qty	Description
1	775-50P05	2 Pcs	Drawer Complete	7	775P04A	3 Sets	Door Handle w/Screw
2	775P04	2 Sets	Knob w/ Screw	8	775P01D	3 Sets	Door Catch
3	775P05A	2 Sets	Drawer Stop	9	775P07H	6 Pcs	Door Hinge
4	775P06	2 Sets	Drawer Glide	10	775-50P08L	1 Pc	Large Shelf - (Left Side)
5	775-50P07R	1 Pc	Right Facing Door	11	775-50P08S	1 Pc	Small Shelf - (Right Side)
5A	775-50P07C	1 Pc	Center Door	12	775P08P	8 Pcs	Shelf pin
6	775-50P07L	1 Pc	Left Facing Door	13	775P01F	4 Pcs	Floor Glide

Anti-tip Hardware -775P01AT

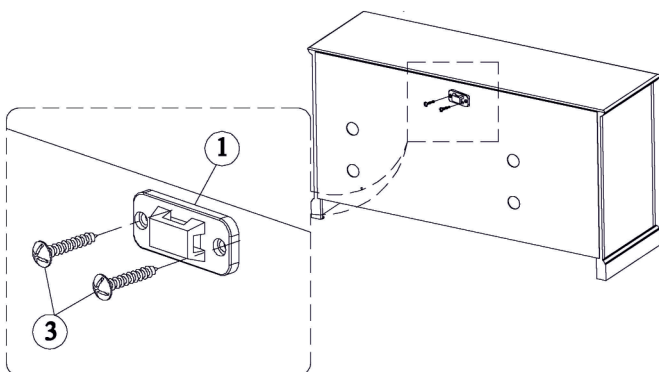
No	Qty	Description	No	Qty	Description
1	2 Pcs	Plastic bracket	3	2 Pcs	Short Screw
2	1 Pc	Plastic strap	4	2 Pcs	Long Screw

I.



PLEASE NOTE : To help prevent the possibility of tip-over, install the tipover restraint provided.

II.



III.

