



LIVIN HILL

ASSEMBLY INSTRUCTION & PARTS IDENTIFICATION MODEL #775-32 ACCENT CHEST

Thank you for purchasing this quality product. Be sure to check all packing material carefully for small parts that may have come loose inside the carton during shipment.

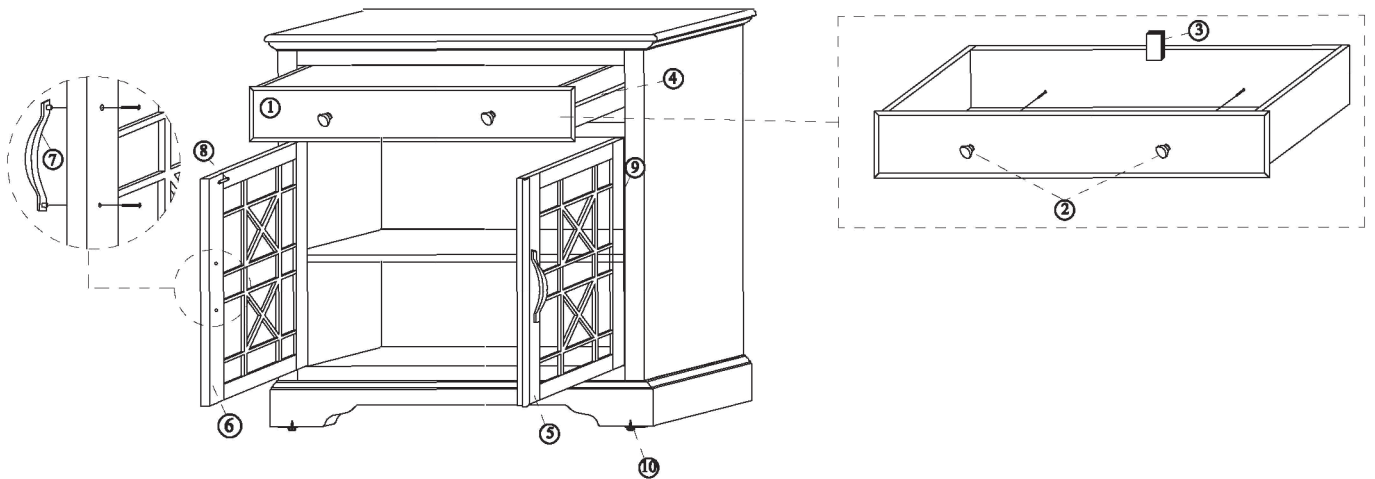
Parts key

No	Code	Qty	Description	No	Code	Qty	Description
1	775-32P05	1 pc	Drawer Complete	6	775-32P07L	1 pc	Left Facing Door
2	775P04	2 pcs	Knob w/ Screw	7	775P04A	2 Sets	Door Handle w/Screw
3	775P05A	1 Set	Drawer Stop	8	775P01D	2 Sets	Door Catch
4	775-32P06	2 pcs	Drawer Glide	9	775P07H	4 pcs	Door Hinge
5	775-32P07R	1 pc	Right Facing Door	10	775P01F	4 pcs	Floor Glide

Anti-tip Hardware

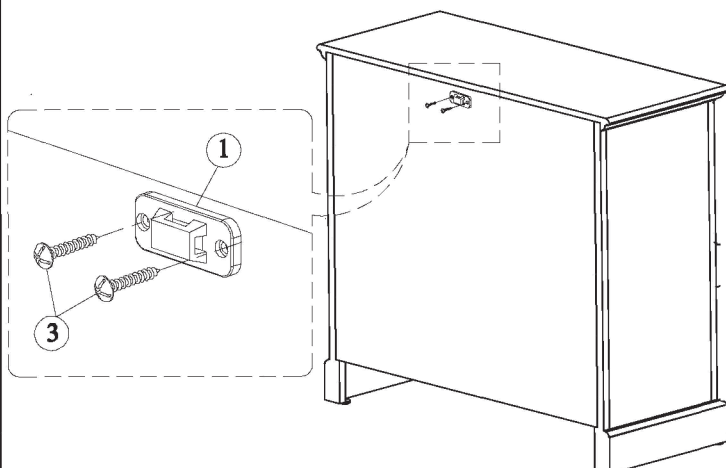
No	Qty	Description	No	Qty	Description
1	2 Pcs	Plastic bracket	3	2 Pcs	Short Screw
2	1 Pc	Plastic strap	4	2 Pcs	Long Screw

I.



PLEASE NOTE : To help prevent the possibility of tip-over, install the tipover restraint provided.

II.



III.

