



LIVIN HILL

ASSEMBLY INSTRUCTION & PARTS IDENTIFICATION MODEL #775-60 MEDIA UNIT

Thank you for purchasing this quality product. Be sure to check all packing material carefully for small parts that may have come loose inside the carton during shipment.

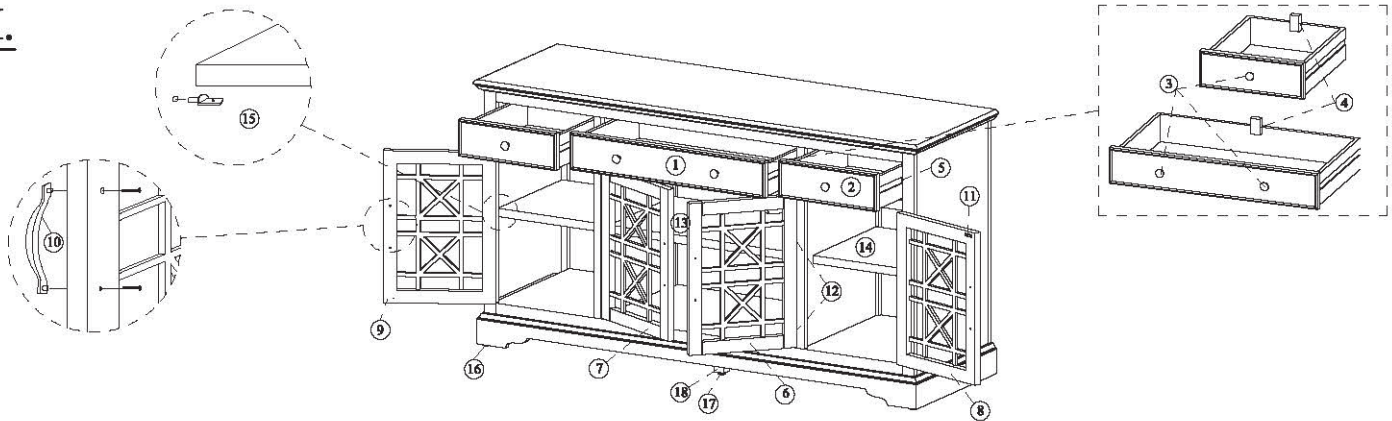
Parts key

No	Code	Qty	Description	No	Code	Qty	Description
1	775-60P05C	1 Pc	Center Drawer Complete	10	775-P04A	4 Sets	Door Handle w/Screw
2	775-60P05S	2 Pcs	Side Drawer Complete	11	775-P01D	4 Sets	Door Catch
3	775-P04	4 Sets	Knob w/ Screw	12	775-P07H	8 Pcs	Door Hinge
4	775-P05A	3 Sets	Drawer Stop	13	775-60P08M	1 Pc	Middle Shelf
5	775-P06	3 Pcs	Drawer Glide	14	775-60P08S	2 Pcs	Side Shelf
6	775-60P07CR	1 Pc	Center Right Facing Door	15	775-P08P	12 Pcs	Shelf pin
7	775-60P07CL	1 Pc	Center Left Facing Door	16	775-P01F	4 Pcs	Floor Glide
8	775-60P07R	1 Pc	Right Facing Door	17	775-P01L	1 Pc	Floor Leveler
9	775-60P07L	1 Pc	Left Facing Door	18	775-P02M	1 Pc	Center Leg

Anti-tip Hardware

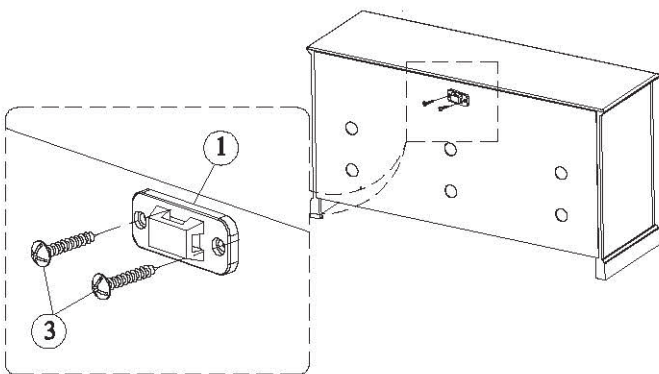
No	Qty	Description	No	Qty	Description
1	2 Pcs	Plastic bracket	3	2 Pcs	Short Screw
2	1 Pc	Plastic strap	4	2 Pcs	Long Screw

I.



PLEASE NOTE : To help prevent the possibility of tip-over, install the tipover restraint provided.

II.



III.

