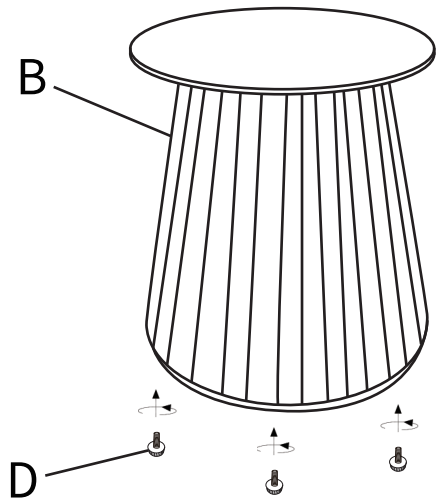
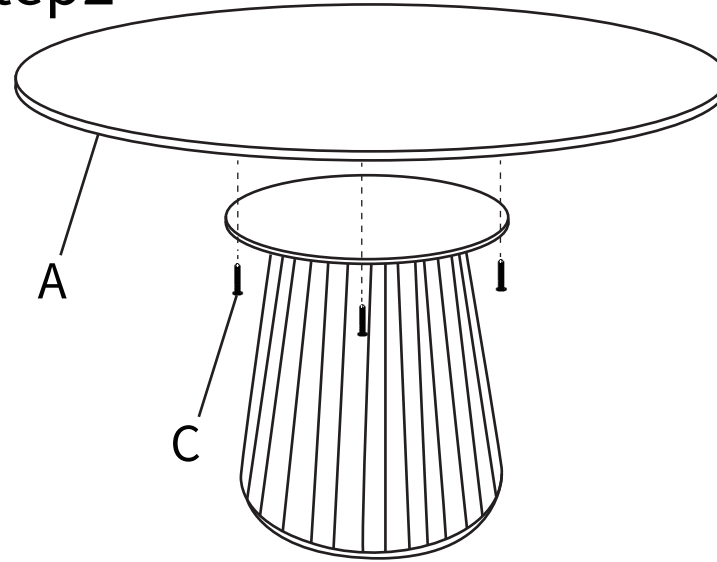


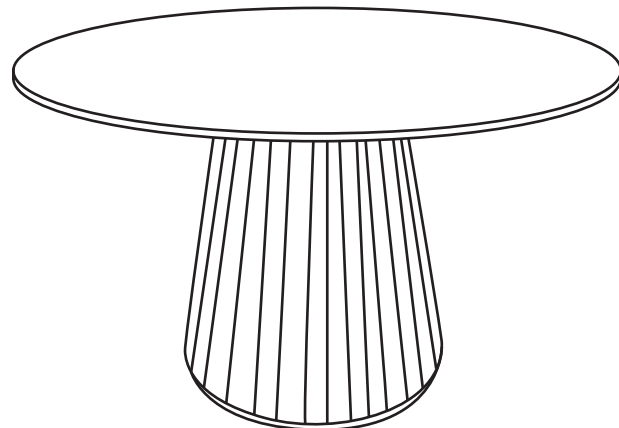
Step1



Step2



Step3



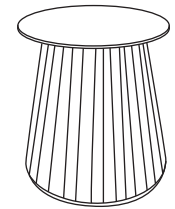
Accessories

A



1PCS

B



1PCS

C



4PCS

D



4PCS