



LIVIN HILL

ASSEMBLY INSTRUCTIONS & PARTS IDENTIFICATION

MODEL # 2251 - 38

ISABELLA 2 DOORS ACCENT CABINET WHITE FINISH

Parts key

No	Code	Qty	Description	No	Code	Qty	Description
1	2251-38P54	1 pc	Top	8	2251-38P07L	1 pc	Left Side Facing Door
2	2251-38P51B	1 pc	Bottom Shelf	9	2251-38P07R	1 pc	Right Side Facing Door
3	2251-38P53	1 pc	Front Frame	10	2251P51H	4 pcs	Side Panel Hinge
4	2251-38P51L	1 pc	Left Side Facing Side Panel	11	2251P07H	4 pcs	Door Hinge
5	2251-38P51R	1 pc	Right Side Facing Side Panel	12	2251P01L	4 pcs	Leveler
6	2251-38P08	1 pc	Shelf	13	2251P01D	1 pc	Door Catch
7	2251-38P38	1 pc	Back Panel	14	2251P01AT	1 set	Anti-Tip Kit

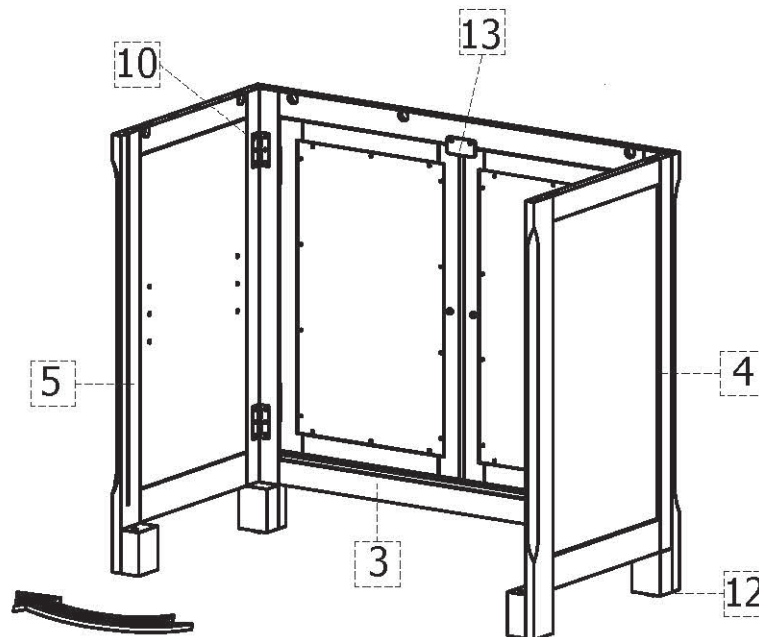
Hardware Kit 2251-38P01

No	Code	Qty	Description	No	Code	Qty	Description
15	2251P08P	4 pcs	Shelf Pin	17	2251P01S	4 pcs	Wood Screw
16	2251P04	2 pcs	Knob w/ Screw				

PLEASE NOTE: Assembly requires two people. Follow directions step by step.

Step:01

- With the help of the second person, open the front frame assembly positioning the two side panels of the cabinet 90° perpendicular to the cabinet frame.





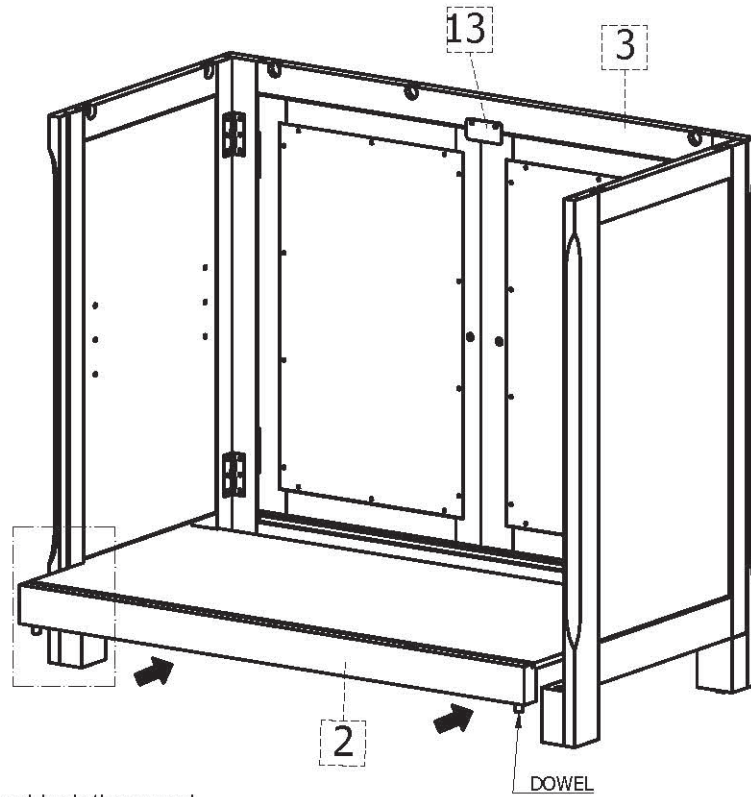
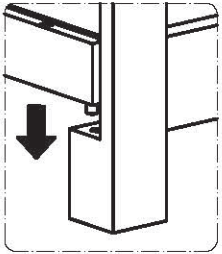
LIVIN HILL

ASSEMBLY INSTRUCTIONS & PARTS IDENTIFICATION

MODEL # 2251 - 38

ISABELLA 2 DOORS ACCENT CABINET
WHITE FINISH

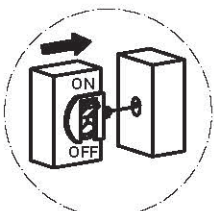
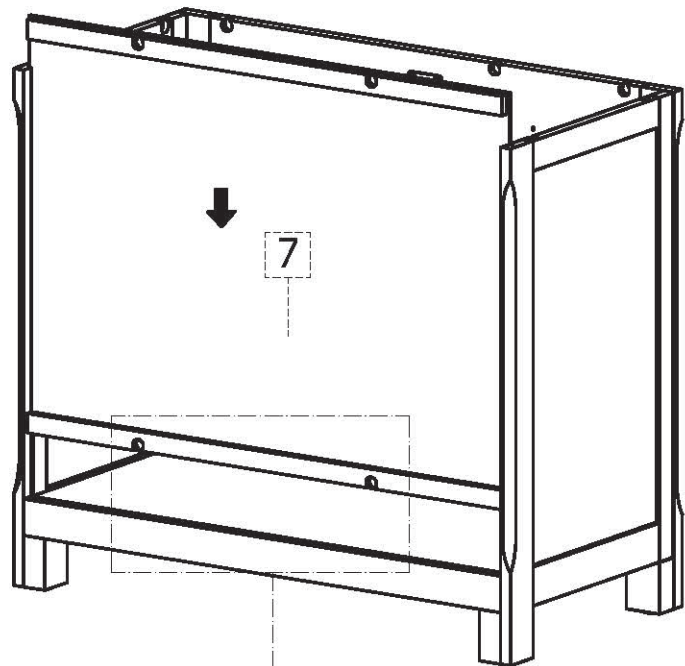
Step:02



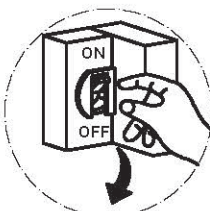
- Place the bottom shelf in position and lock the wood dowels into the receiving holes in the rear leg.

Step:03

- Carefully insert the back panels into place making sure that the lock tabs are in the open position on the bottom of the back panel.
- Once in place, lock the tabs on the bottom.



Tab in opened position



Pull tab down to lock



Tab in locked position



LIVIN HILL

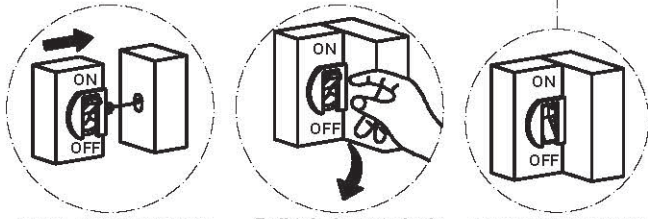
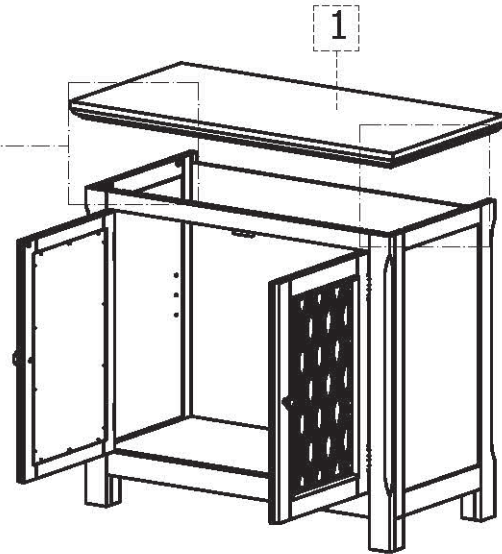
ASSEMBLY INSTRUCTIONS & PARTS IDENTIFICATION

MODEL # 2251 - 38

ISABELLA 2 DOORS ACCENT CABINET WHITE FINISH

Step:04

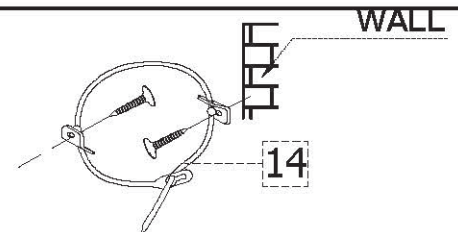
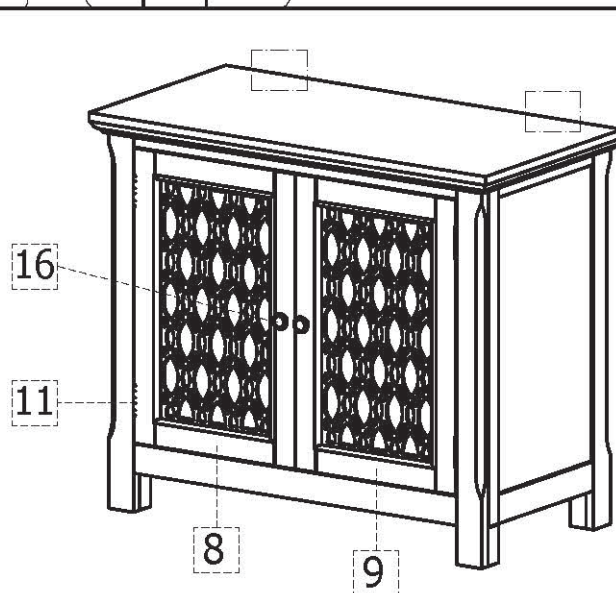
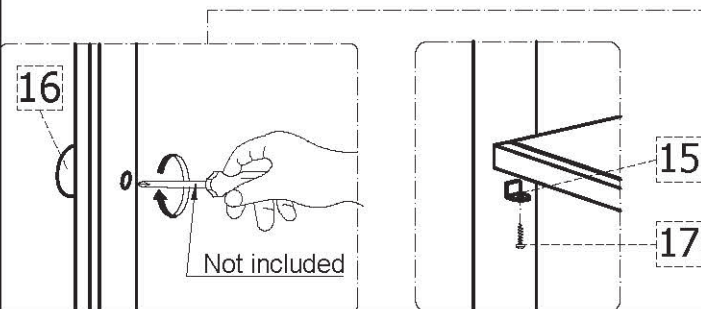
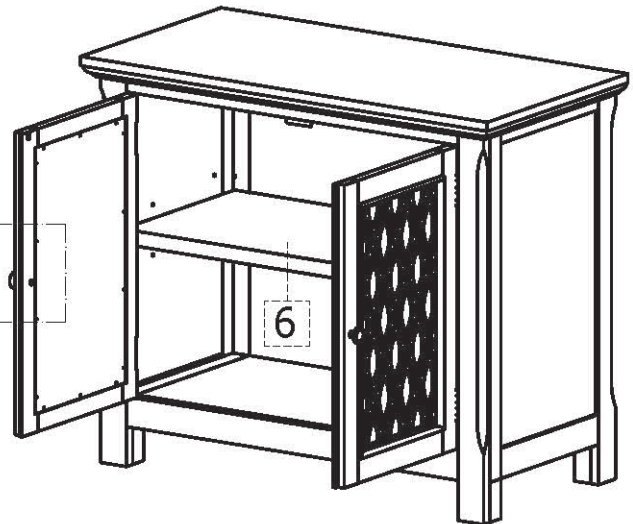
- Line up all the locking tabs in the open position
- With two people, carefully align the top in place making sure that the tab fits into the receiver portion on the top.
Once firmly in place, lock the tabs.



Tab in opened position Pull tab down to lock Tab in locked position

Step:05

- Install the shelves using the shelf pins. it is important to secure the shelf in place with the wood screws (See Diagram)
- Install the grip handle to fit the hand, not too tight or too loose.



PLEASE NOTE :

To help prevent the possibility of tip-over, install the ANTI-TIP OVER restraint provided.