



# LIVIN HILL

## ASSEMBLY INSTRUCTIONS & PARTS IDENTIFICATION MODEL #1706-71 SERVER HUTCH

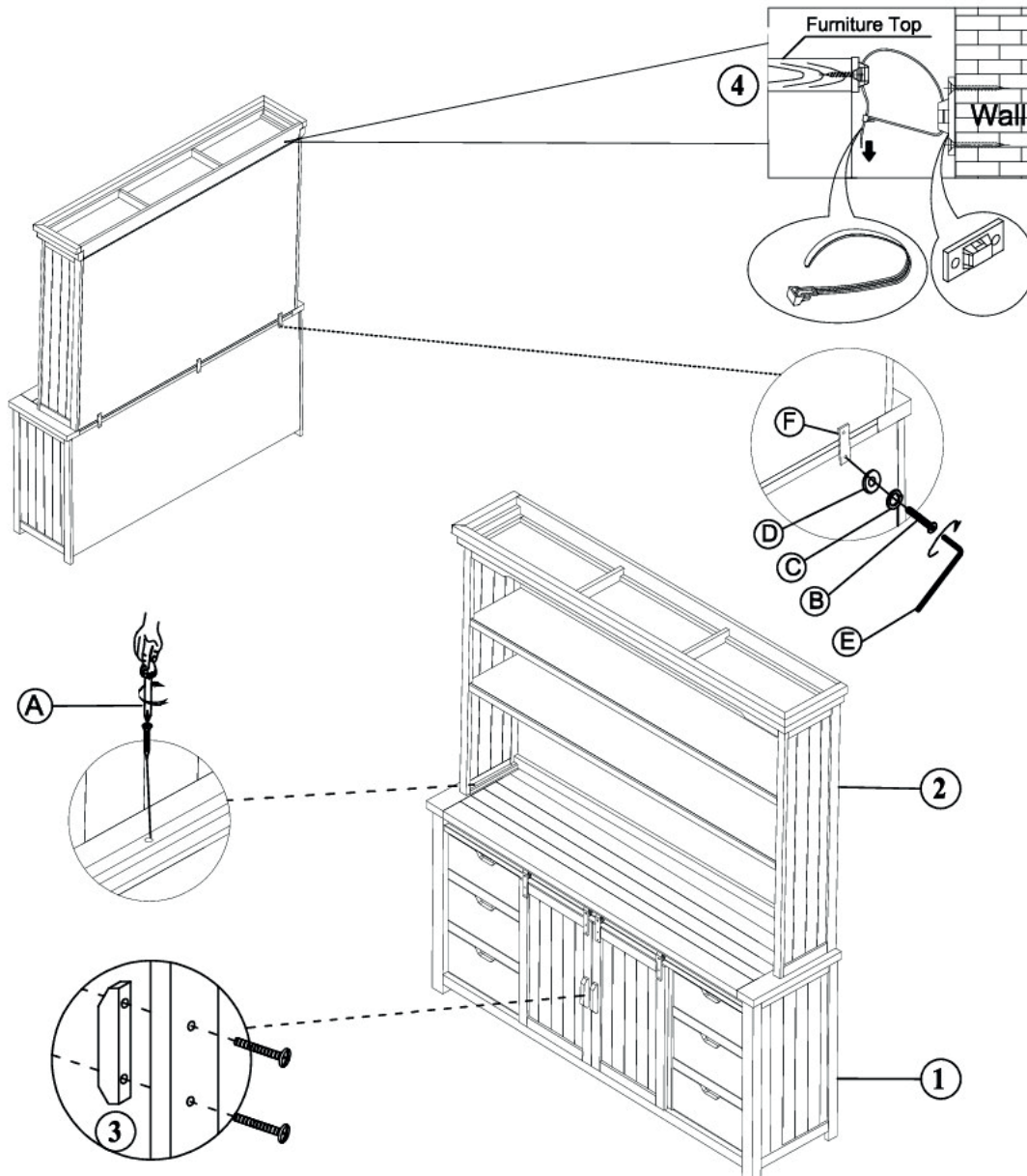
Thank you for purchasing this quality product. Be sure to check all packing material carefully for small parts that may have come loose inside the carton during shipment.

Parts key			
No	Code	Q'ty	Description
1	1706-70	1 Pc	Drawer barn door server
2	1706-71	1 Pc	Server Hutch
3	1706-71P01S	4 Pcs	Screw Cap Cover
4	1706P01AT	1 Set	Anti tip hardware

Hardware Kit 1706-71P01			
No		Description	Q'ty
A		Screw Ø4 x 30mm	4 pcs
B		Bolt Ø6.3 x 20	6 pcs
C		Lock washer Ø6.5	6 pcs
D		Flat washer Ø6.5	6 pcs
E		Allen key	1 pc
F		Metal Bracket	3 pcs

**PLEASE NOTE:**

To avoid the possibility of the furniture tipping and injury, the Anti-tip hardware must be installed.



MADE IN VIETNAM