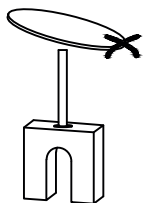
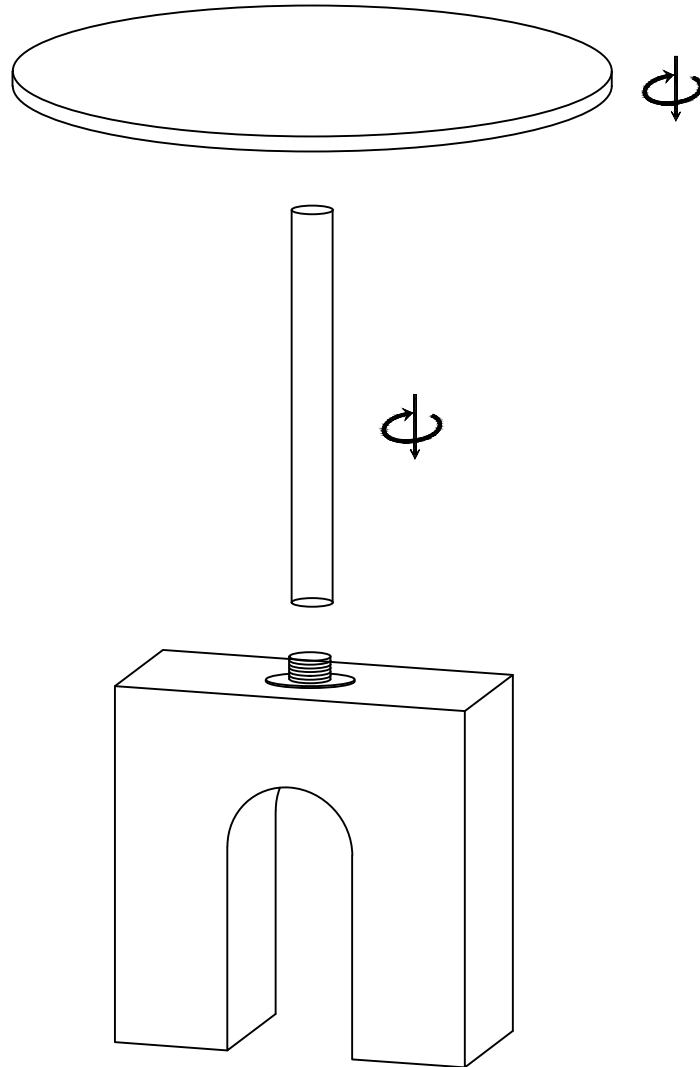




LIVIN HILL

ASSEMBLY INSTRUCTION

Modig M99 Accent table



The table should not be installed in an inclined position, it must be kept flat



Please move the base instead of the top