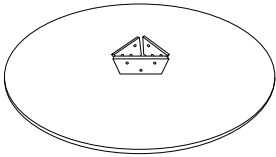
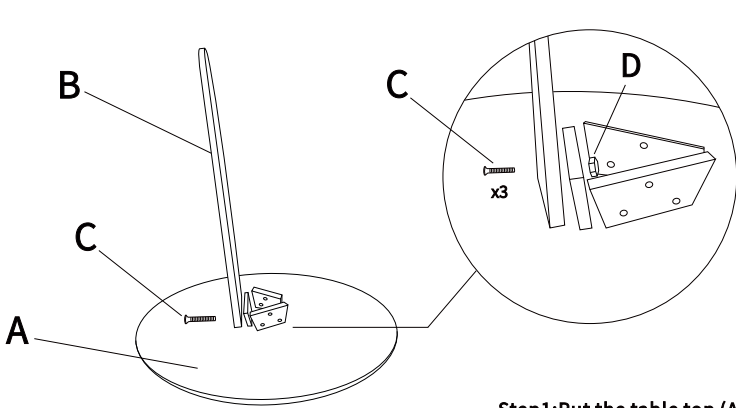
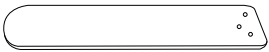
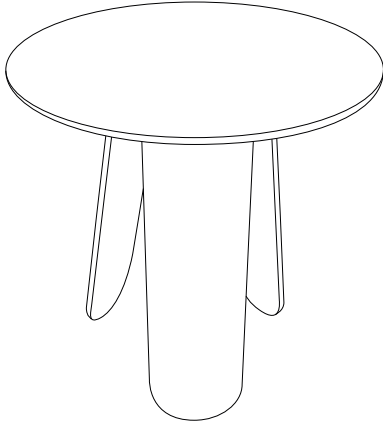




ASSEMBLY INSTRUCTION

Modig M75-60 Accent table

| | | | |
|---|---|------|---|
| | | | |
| A |  | 1PC | <p>①</p>  <p>Step1: Put the table top (A) on the floor carefully. Step2: Assemble the table base (B) with 3 PCS screws (C)+(D) per side.</p> |
| B |  | 3PCS | <p>②</p>  |
| C |  | 9PCS | |
| D |  | 9PCS | |