



LIVIN HILL

ASSEMBLY INSTRUCTIONS & PARTS IDENTIFICATION

MODEL # 1706-66

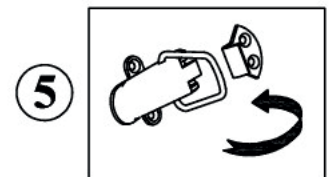
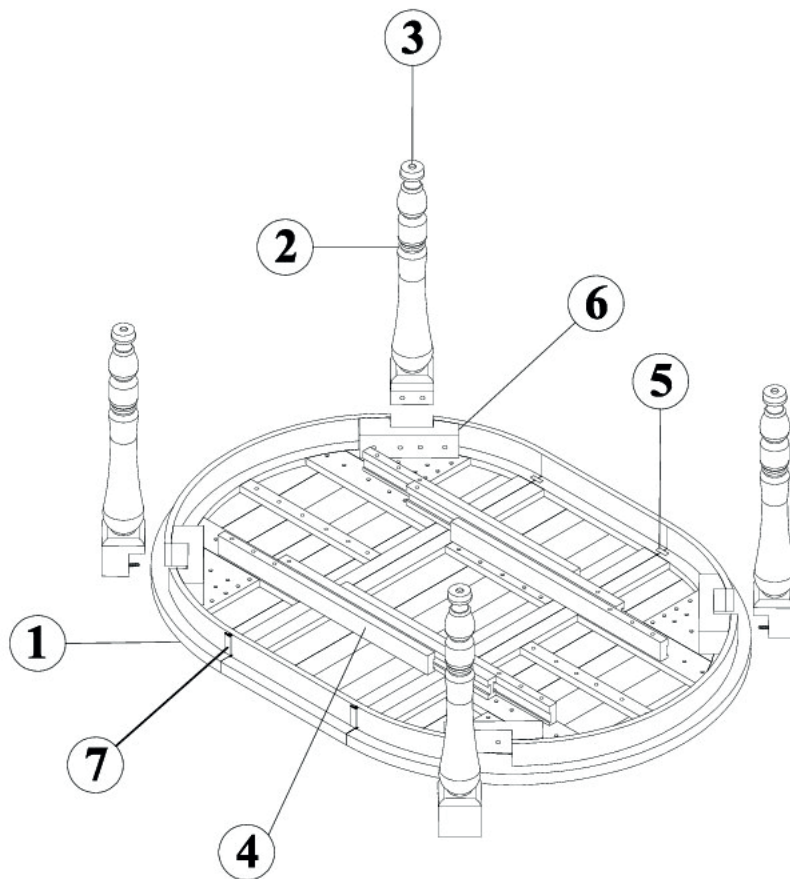
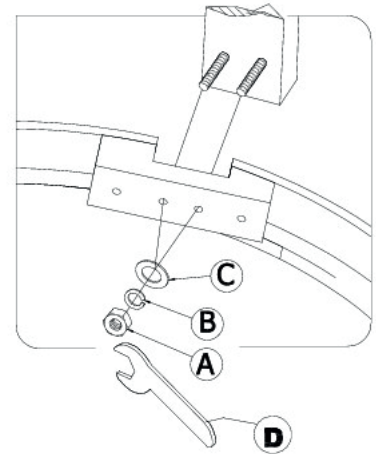
DINING TABLE

Thank you for purchasing this quality product. Be sure to check all packing material carefully for small parts that may have come loose inside the carton during shipment

Key Parts			
No	Code	Qty	Description
1	1706-66P24	1 pc	Table Top
2	1706-66P02	4 pcs	Table Leg
3	1706P01F	4 pcs	Floor Glide
4	1706-66P13	2 pcs	Extension Mechanism
5	1706P13L	4 pcs	Extension Lock
6	1706-66P26	4 pcs	Corner Block
7	1706-66P01A	4 pcs	Apron Spacer

Hardware kit 1706-66P01			
No		Description	Q'Ty
A		Hexa Nut Ø8	8 pcs
B		Lock Washer Ø8.5	8 pcs
C		Flat Washer Ø8.5	8 pcs
D		Key Wrench	1 pc

DETAIL A



STEP 1

- Carefully lay Table Top upside down on a smooth flat surface to prevent scratches.
- Attach each Leg to each corner of the Table Top as shown in illustration. Insert a Flat Washer, Lock Washer and Bolt on to the insert nut of each Leg
- Once all Legs are in place, fully tighten nuts by turning clockwise using provided Key Wrench until secure. (See Detail A)