



LIVIN HILL

ASSEMBLY INSTRUCTIONS & PARTS IDENTIFICATION MODEL # 2299 - 33KD

COLHANE 2 DOOR ACCENT CABINET CEDAR FINISH

Parts key

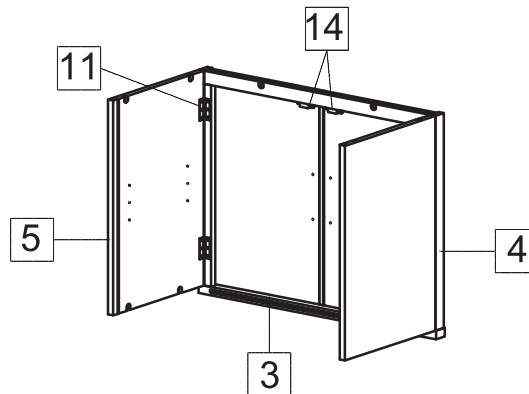
No	Code	Qty	Description	No	Code	Qty	Description
1	2299-33KDP54	1 pc	Top	8	2299-33KDP07L	1 pcs	Left Side Facing End Door
2	2299-33KDP51B	1 pc	Bottom Shelf				
3	2299-33KDP53	1 pc	Front Frame	9	2299-33KDP07R	1 pcs	Right Side Facing End Door
4	2299-33KDP51L	1 pc	Left Side Facing Side Panel				
5	2299-33KDP51R	1 pc	Right Side Facing Side Panel	10	2299-33KDP02	4 pcs	Leg
				11	2299KDP51H	4 pcs	Side Panel Hinge
6	2299-33KDP08	1 pc	Shelf	12	2299KDP07H	4 pcs	Door Hinge
				13	2299KDP01L	4 pcs	Leveler
7	2299-33KDP38	1 pc	Back Panel	14	2299KDP01D	2 pcs	Door Catch
				15	2299KDP01AT	1 set	Anti-Tip Kit

Hardware Kit 2299-33KDP01

No	Code	Qty	Description	No	Code	Qty	Description
16	2299KDP08P	4 pcs	Shelf Pin	18	2299KDP01S	4 pcs	Wood Screw
17	2299KDP04	2 pcs	Handle w/ Screw	19	2299KDP01W	4 pcs	Plastic washer

PLEASE NOTE: Assembly requires two people. Follow directions step by step.

Step:01

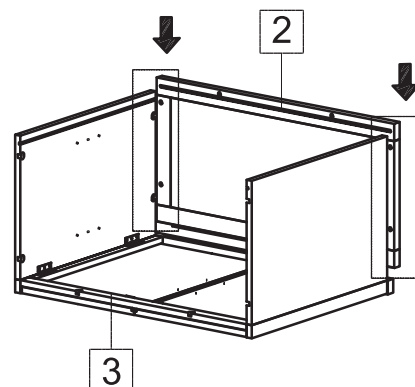
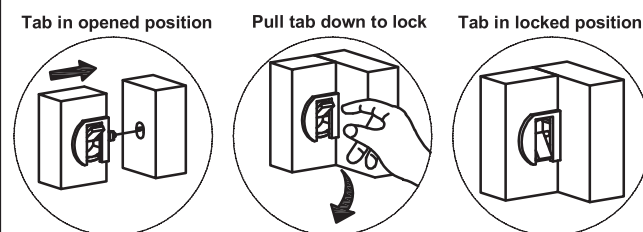


- With the help of the second person, open the front frame assembly positioning the two side panels of the cabinet 90° perpendicular to the cabinet frame.

Step:02

- With two people, carefully bring the bottom rack and gently push it down to make sure it reaches the receiver.

- Make sure that the locking pin is in the opened position for mounting on the bottom rack. Once in place, lock the tabs





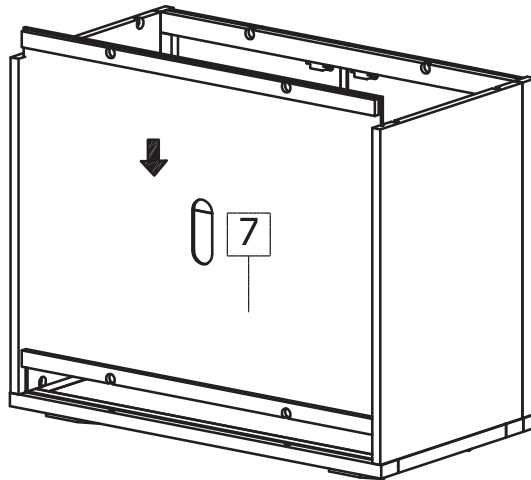
LIVIN HILL

ASSEMBLY INSTRUCTIONS & PARTS IDENTIFICATION MODEL # 2299 - 33KD

COLHANE 2 DOOR ACCENT CABINET CEDAR FINISH

Step:03

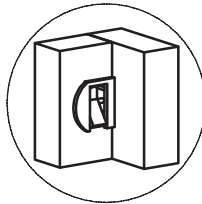
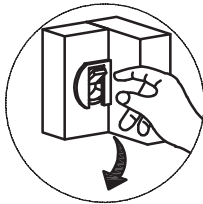
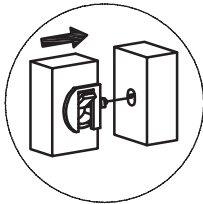
- Carefully insert the back panels into place making sure that the lock tabs are in the open position on the bottom of the back panel.
- Once in place, lock the tabs on the bottom.



Tab in opened position

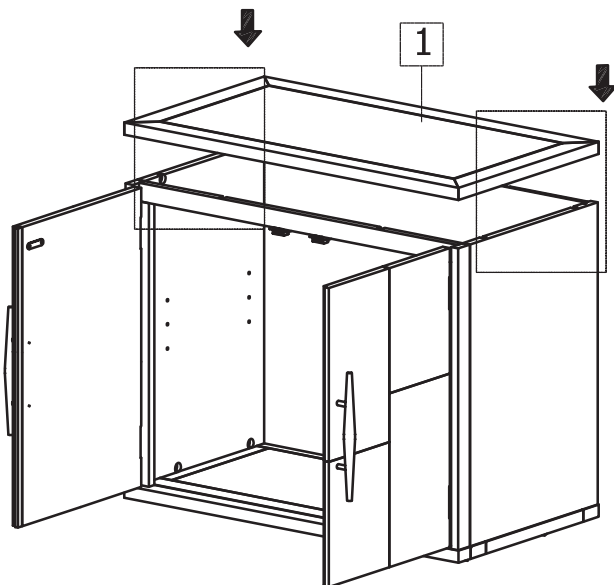
Pull tab down to lock

Tab in locked position



Step:04

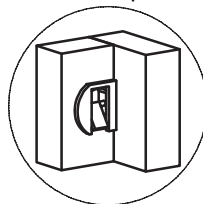
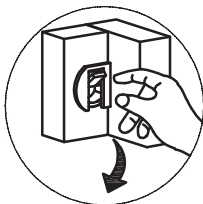
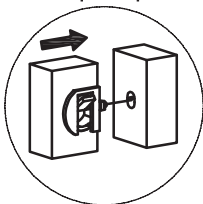
- Line up all the locking tabs in the open position
- With two people, carefully align the top in place making sure that the tab fits into the receiver portion on the top. Once firmly in place, lock the tabs.



Tab in opened position

Pull tab down to lock

Tab in locked position



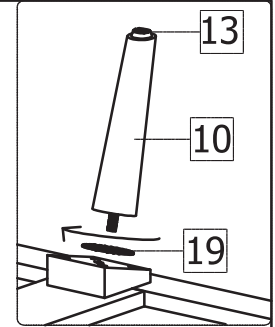
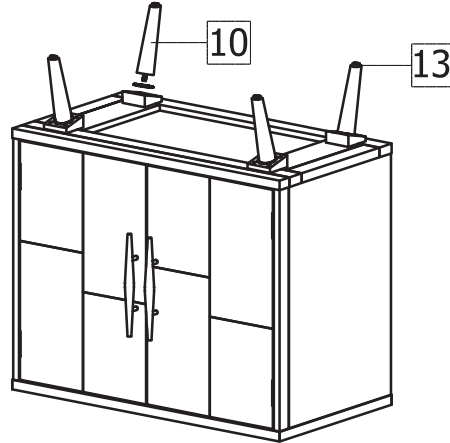


LIVIN HILL

ASSEMBLY INSTRUCTIONS & PARTS IDENTIFICATION MODEL # 2299 - 33KD

COLHANE 2 DOOR ACCENT CABINET CEDAR FINISH

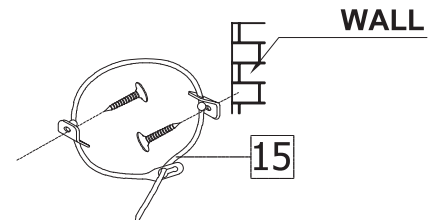
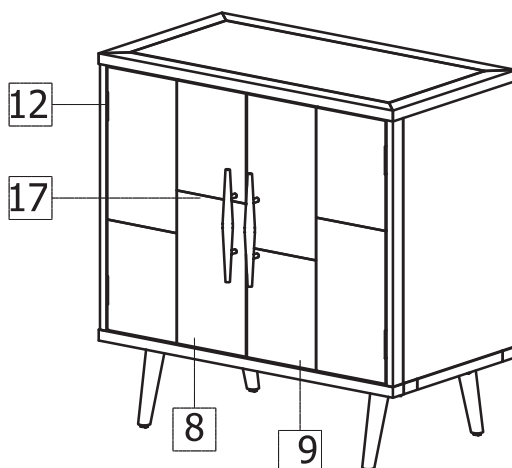
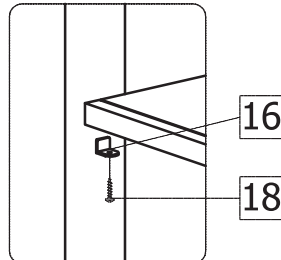
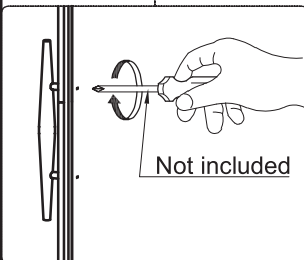
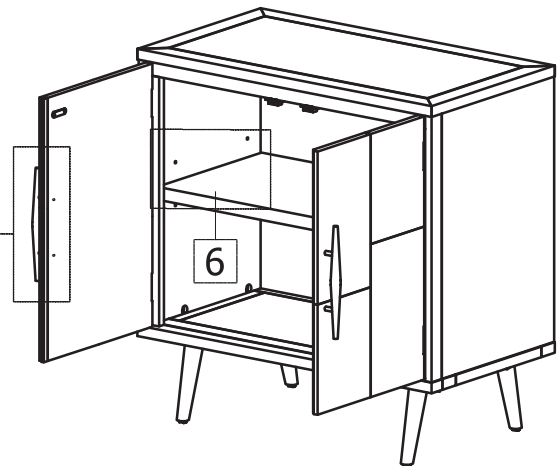
Step:05



- With two people carefully place the cabinet on a flat surface to prevent scratches.
- Proceed to put the plastic temple on the legs and attach the legs to the cabinet, rotate the legs clockwise until you feel heavy and align the legs so that they are in the right direction with the product.

Step:06

- Install the shelves using the shelf pins. it is important to secure the shelf in place with the wood screws (See Diagram)
- Attach the door pull with a Phillips screwdriver as shown.



PLEASE NOTE :
To help prevent the possibility of tip-over, install the ANTI-TIP OVER restraint provided.